



## Quick Installation Guide

### Nuclias Connect AC1750 Wave 2 Dual Band PoE Access Point

This document will guide you through the basic installation process for your new D-Link Wireless AC Access Point.

**DAP-2680**



---

# DAP-2680 Quick Start Guide

This installation guide provides basic instructions for installing the DAP-2680 Wireless Access Point on your network. For additional information about how to use the Access Point, please see the User's Manual which is available on the CD included in this package or from the D-Link support website.

## System Requirements

Minimum System Requirements:

- an Ethernet port, or an installed Ethernet adapter
- Internal Explore 11, Safari 7, Firefox 28, Google Chrome 33 or later versions of these browsers

## 1. Package Contents

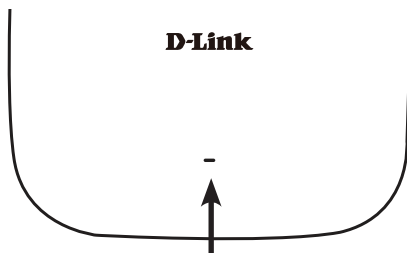
- DAP-2680 802.11ac Power over Ethernet (PoE) Access Point
- Mounting Brackets
- Ceiling Brackets
- Quick Start Guide

If any of the above items are missing, please contact your reseller.

NOTE no PSU supplied. To power the units use an D-Link 802.3at PoE switch or the D-Link DPE-301GI PoE injector.

## 2. Hardware Overview

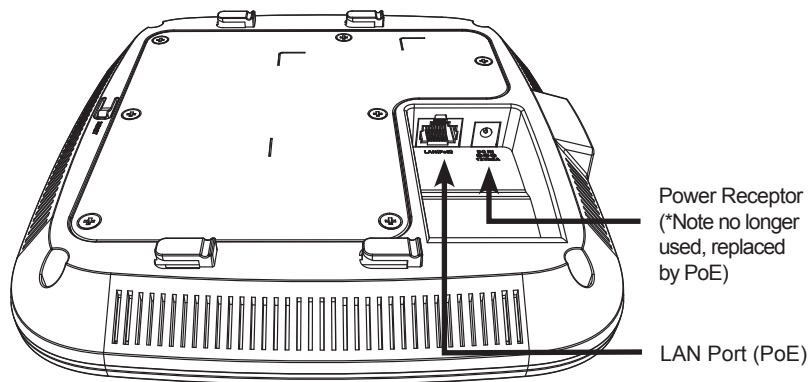
### LED



#### Power/Status LED - Dual color (Red/green)

- . Flash Red during booting up or malfunction
- . Static Green while it's ready/working
- . Solid Red while boot up fail

### Interfaces



\* PoE kit (injector and adapter) is NOT include in the package and it can be purchased with the model name "DPE-301GI".

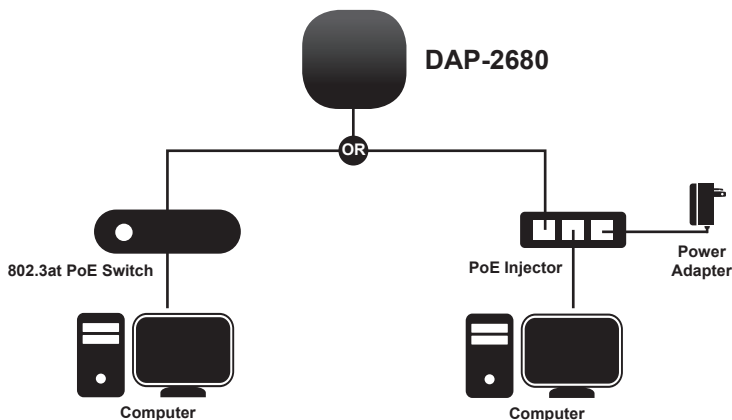
### 3. Installation

#### Power on the access point

To power on the DAP-2680, you can use ONE of the following methods:

1. Plug one end of your Ethernet cable into the LAN port of the DAP-2680, and the other end into a port on a 802.3at PoE switch.
2. Purchase separately a DPE-301GI PoE injector if you need to connect the Access Point without a 802.3at PoE Switch.

#### Configure the access point



To set up and manage the DAP-2680, use one of the following methods:

1. Connect the access point and your computer to the same switch. Manage the access point from the computer.

Enter `http://dap2680macxxx.local/` (xxx means mac's last four characters) in the address field of your browser, which is the default IP address of the access point.

Log in to the Administration Web pages. The default login information is:

Username: admin

Password: admin

2. Connect the access point and your computer via DPE-301GI. Manage the access point from the computer.

Ensure your computer is configured with a static IP address in 192.168.0.0/24 subnet.

Launch a web browser, type the default IP address of the access point `http://dap2680macxxx.local/` (xxx means mac's last four characters) and then press Enter.

Log in to the Administration Web pages. The default login information is:

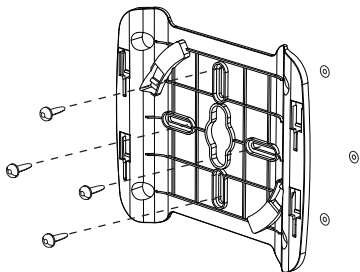
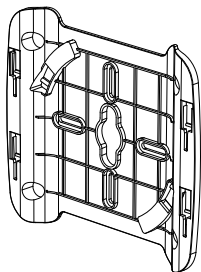
Username: admin

Password: admin

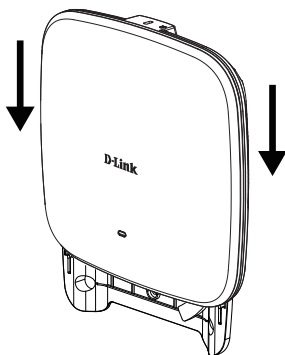
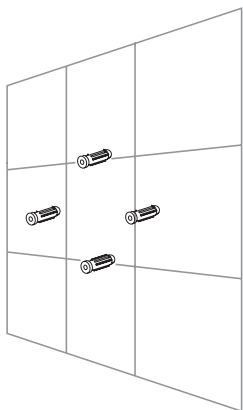
## Solid wall or ceiling

### Installation

1. Place the mounting bracket on a wall or ceiling.
4. Use the supplied screws to attach the mounting ring to the wall.



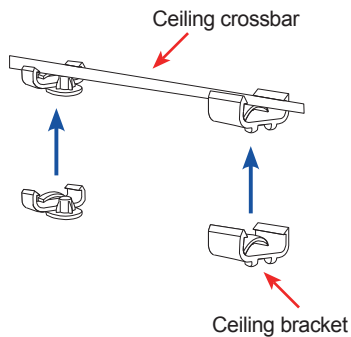
2. Mark the points where you will insert the screws. Take out the mounting ring.
5. Plug the Ethernet cable into the LAN port on the access point.
3. Drill holes in the marked points and insert the plastic wall anchors.
6. To attach the access point to the mounting bracket.



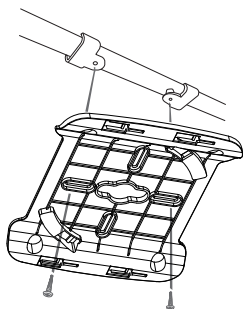
## Mounting with a ceiling bracket

### Installation

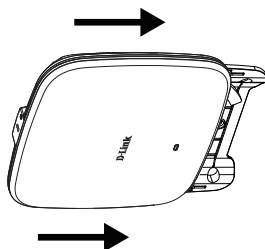
1. Clip two ceiling brackets onto the ceiling panels. Make sure both brackets are in line with each other.



2. Use the provided screws to attach the mounting ring to the ceiling bracket.



3. Plug the Ethernet cable into the LAN port on the access point.
4. Place the DAP-2680's male bracket in the mounting bracket's female bracket. Click DAP-2680 and the mounting bracket to lock in position.





## GPL Code Statement

This D-Link product includes software code developed by third parties, including software code subject to the GNU General Public License (“[GPL](#)”) or GNU Lesser General Public License (“[LGPL](#)”). As applicable, the terms of the GPL and LGPL, and information on obtaining access to the GPL code and LGPL code used in this product, are available to view the full GPL Code Statement at:

**<https://tsd.dlink.com.tw/GPL>**

The GPL code and LGPL code used in this product is distributed WITHOUT ANY WARRANTY and is subject to the copyrights of one or more authors. For details, see the GPL code and the LGPL code for this product and the terms of the GPL and LGPL.

## Written Offer for GPL and LGPL Source Code

Where such specific license terms entitle you to the source code of such software, D-Link will provide upon written request via email and/or traditional paper mail the applicable GPL and LGPL source code files via CD-ROM for a nominal cost to cover shipping and media charges as allowed under the GPL and LGPL.

Please direct all inquiries to:

**Email:**

[GPLCODE@dlink.com](mailto:GPLCODE@dlink.com)

**Snail Mail:**

Attn: GPLSOURCE REQUEST  
D-Link Systems, Inc.  
17595 Mt. Herrmann Street  
Fountain Valley, CA 92708



## Déclaration relative au code GPL

Ce produit D-Link comprend des codes de logiciel développés par des tiers, y compris des codes de logiciel soumis à la Licence Publique Générale GNU ( « [GPL](#) ») ou à la Licence Publique Générale GNU Limitée (« [LGPL](#)»). Le cas échéant,, les conditions de la GPL et de la LGPL, ainsi que les informations permettant d'accéder au code GPL et au code LGPL utilisés dans ce produit, sont disponibles pour consulter la déclaration de code GPL complète au:

**<http://tsd.dlink.com.tw/GPL>**

Les codes GPL et LGPL utilisés dans le produit sont distribués SANS AUCUNE GARANTIE et sont soumis aux droits d'auteur d'un ou de plusieurs auteurs. Pour plus de détails, reportez-vous aux codes GPL et LGPL de ce produit et aux conditions de la GPL et de la LGPL.

## Offre écrite pour le code source GPL et LGPL

Si des conditions spécifiques de la licence vous donnent droit au code source du logiciel, D-Link fournira, sur demande écrite par courrier électronique et/ou courrier papier traditionnel, les fichiers de code source GPL et LGPL applicables via CD-ROM à un coût nominal pour couvrir les frais d'expédition et de support comme autorisé par la licence GPL et LGPL.

Veuillez adresser toutes les demandes à :

### **Courrier électronique :**

[GPLCODE@dlink.com](mailto:GPLCODE@dlink.com)

### **Courrier ordinaire :**

Attention : GPLSOURCE REQUEST

D-Link Systems, Inc.

17595 Mt. Herrmann Street

Fountain Valley, CA 92708



**D-Link®**



Ver. 1.01(WW)\_130x183  
2019/10/29