

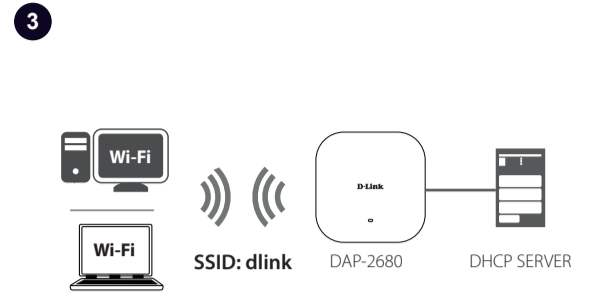
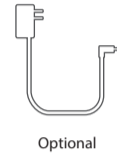
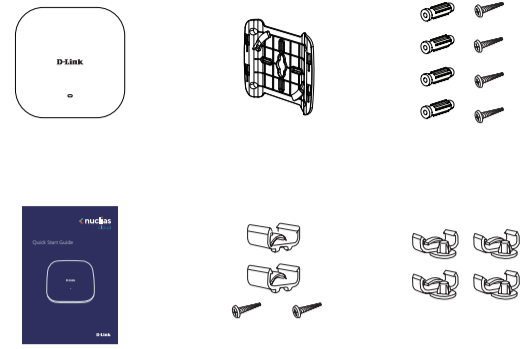
Quick Start Guide

DAP-2680

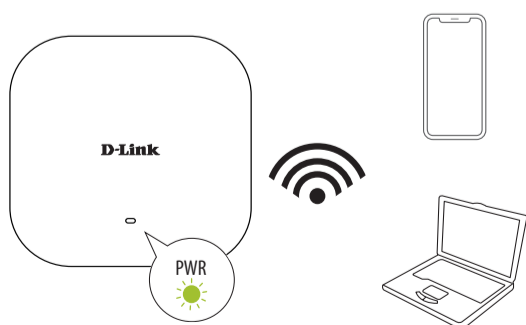
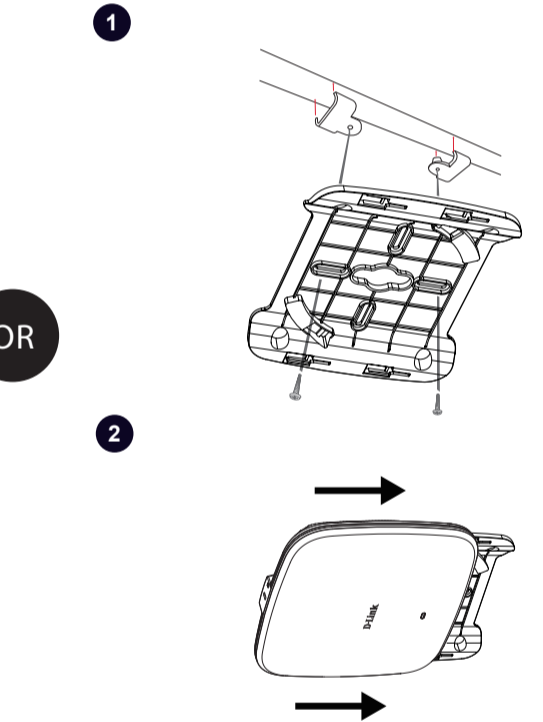
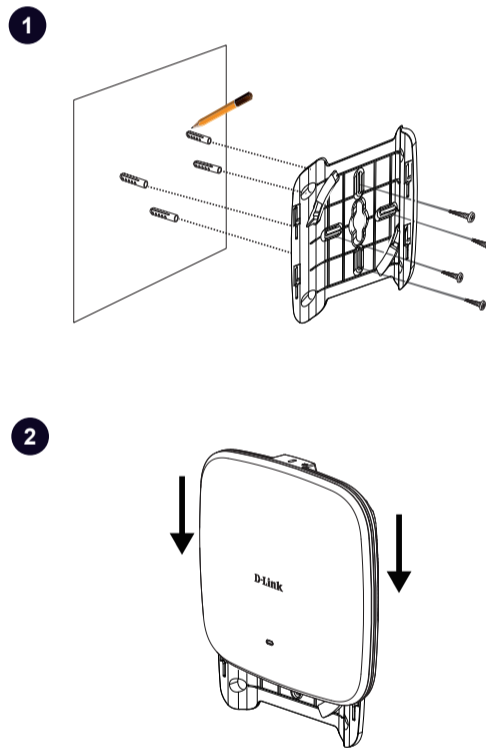
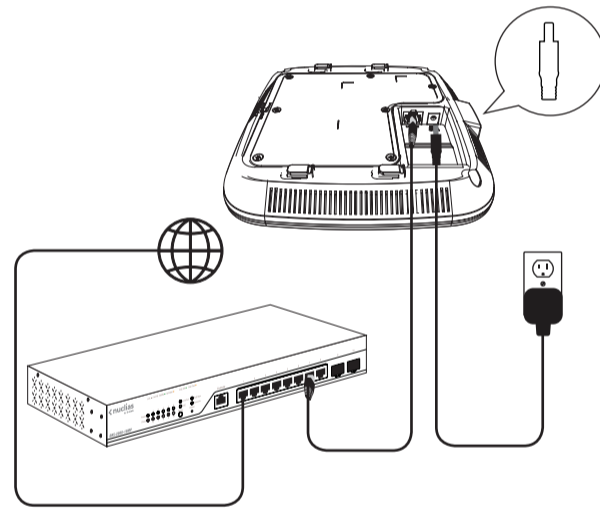
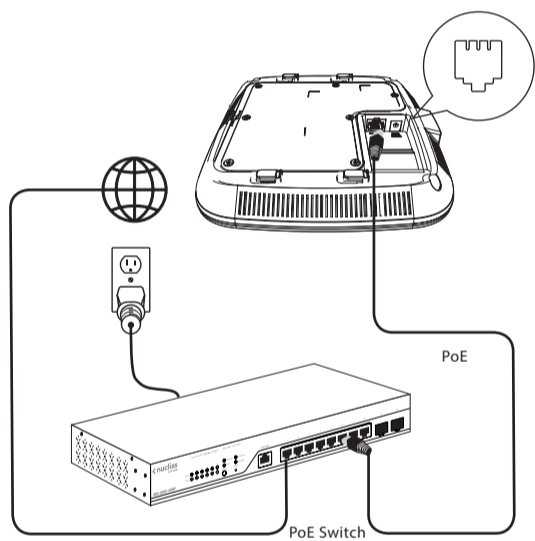
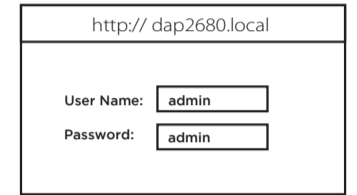


D-Link

D-Link



OR



<https://www.nuclias.com>



<https://www.dlink.com/support>



<https://www.dlink.com/warranty>