



Quick Installation Guide

Nuclias Connect AC1750 Wave 2 Dual Band PoE Access Point

This document will guide you through the basic installation process for your new D-Link Wireless AC Access Point.

DAP-2680



DAP-2680 Quick Start Guide

This installation guide provides basic instructions for installing the DAP-2680 Wireless Access Point on your network. For additional information about how to use the Access Point, please see the User's Manual which is available on the CD included in this package or from the D-Link support website.

System Requirements

Minimum System Requirements:

- an Ethernet port, or an installed Ethernet adapter
- Internal Explore 11, Safari 7, Firefox 28, Google Chrome 33 or later versions of these browsers

1. Package Contents

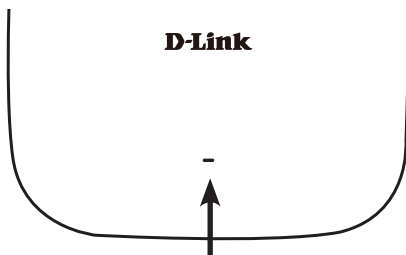
- DAP-2680 802.11ac Power over Ethernet (PoE) Access Point
- Mounting Brackets
- Ceiling Brackets
- Quick Start Guide

If any of the above items are missing, please contact your reseller.

NOTE no PSU supplied. To power the units use an D-Link 802.3at PoE switch or the D-Link DPE-301GI PoE injector.

2. Hardware Overview

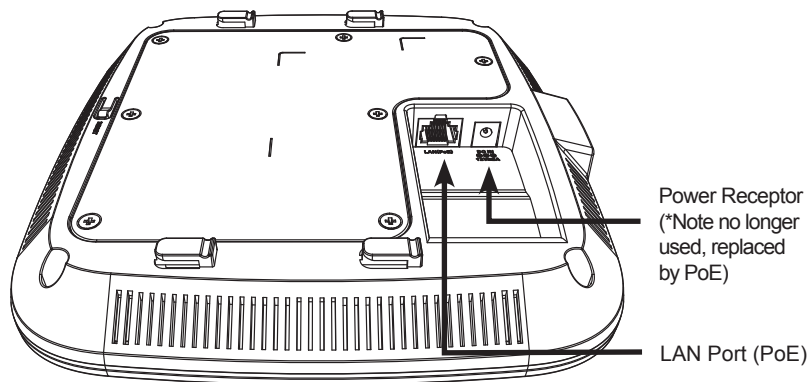
LED



Power/Status LED - Dual color (Red/green)

- . Flash Red during booting up or malfunction
- . Static Green while it's ready/working
- . Solid Red while boot up fail

Interfaces



* PoE kit (injector and adapter) is NOT include in the package and it can be purchased with the model name "DPE-301GI".

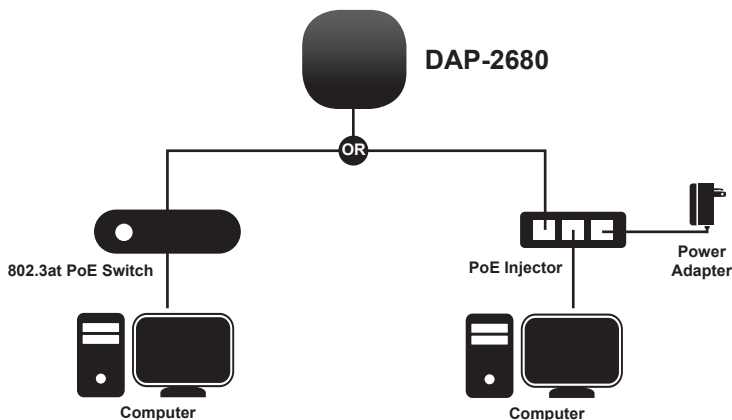
3. Installation

Power on the access point

To power on the DAP-2680, you can use ONE of the following methods:

1. Plug one end of your Ethernet cable into the LAN port of the DAP-2680, and the other end into a port on a 802.3at PoE switch.
2. Purchase separately a DPE-301GI PoE injector if you need to connect the Access Point without a 802.3at PoE Switch.

Configure the access point



To set up and manage the DAP-2680, use one of the following methods:

1. Connect the access point and your computer to the same switch. Manage the access point from the computer.

Enter `http://dap2682+macxxxx.local/` (xxxx means mac's last four characters) in the address field of your browser, which is the default IP address of the access point.

Log in to the Administration Web pages. The default login information is:

Username: admin

Password: admin

2. Connect the access point and your computer via DPE-301GI. Manage the access point from the computer.

Ensure your computer is configured with a static IP address in 192.168.0.0/24 subnet.

Launch a web browser, type the default IP address of the access point `http://dap2682+macxxxx.local/` (xxxx means mac's last four characters) and then press Enter.

Log in to the Administration Web pages. The default login information is:

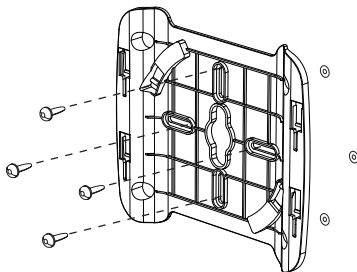
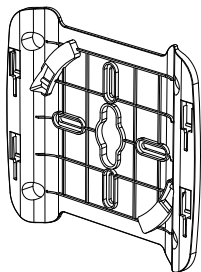
Username: admin

Password: admin

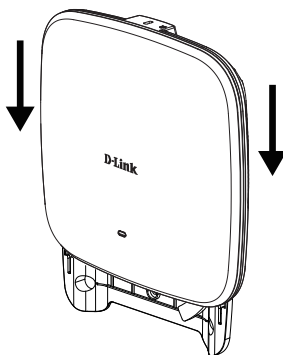
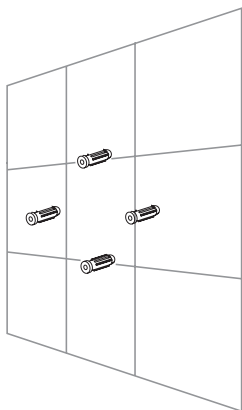
Solid wall or ceiling

Installation

1. Place the mounting bracket on a wall or ceiling.
4. Use the supplied screws to attach the mounting ring to the wall.



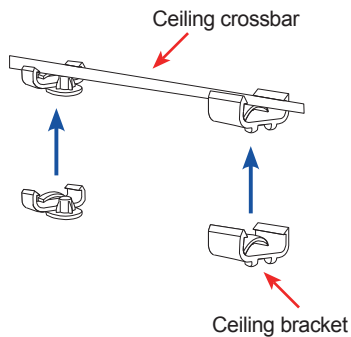
2. Mark the points where you will insert the screws. Take out the mounting ring.
5. Plug the Ethernet cable into the LAN port on the access point.
3. Drill holes in the marked points and insert the plastic wall anchors.
6. To attach the access point to the mounting bracket.



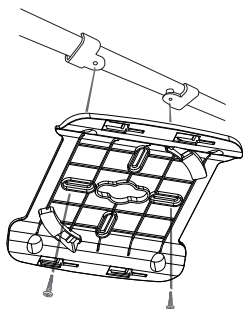
Mounting with a ceiling bracket

Installation

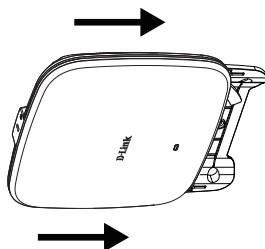
1. Clip two ceiling brackets onto the ceiling panels. Make sure both brackets are in line with each other.



2. Use the provided screws to attach the mounting ring to the ceiling bracket.



3. Plug the Ethernet cable into the LAN port on the access point.
4. Place the DAP-2680's male bracket in the mounting bracket's female bracket. Click DAP-2680 and the mounting bracket to lock in position.



D-Link®



Ver. 1.00(WW)_130x183
2019/10/01